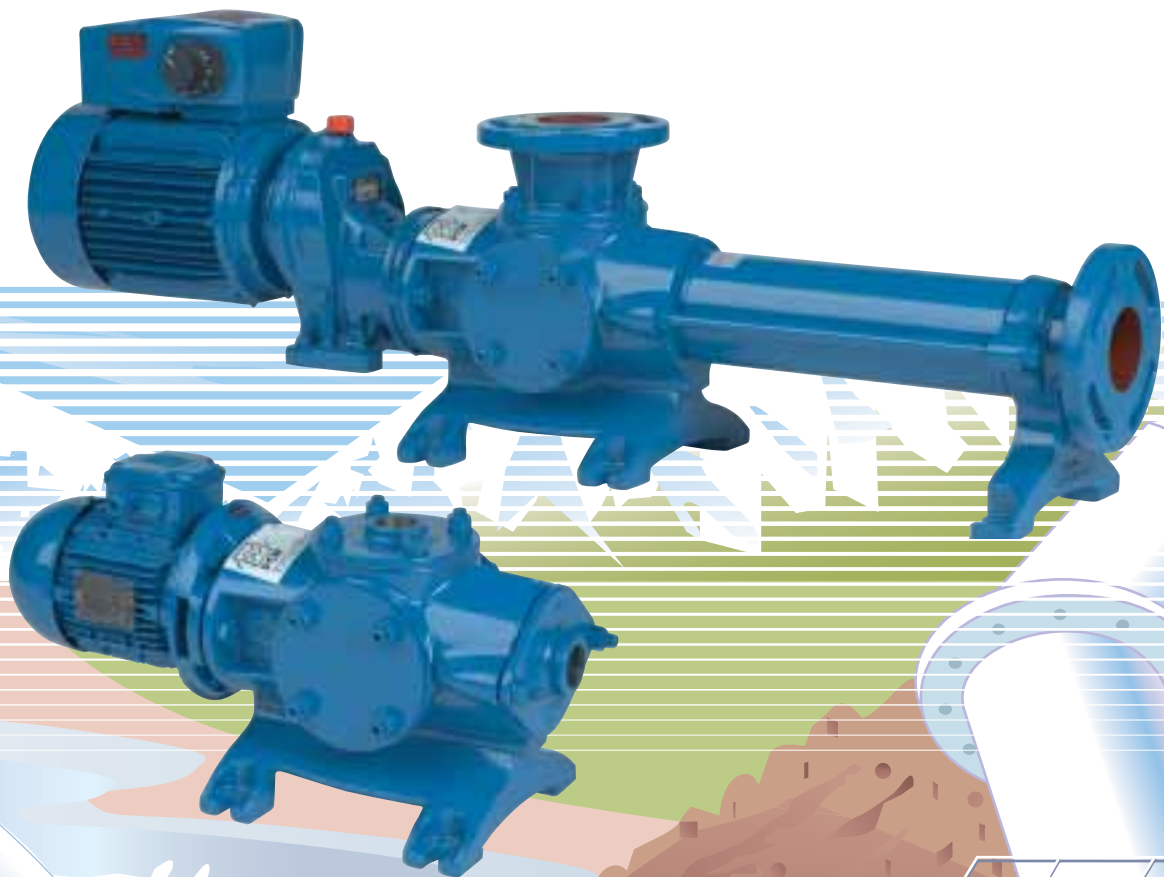


PCM MOINEAU

NEW!

EcoMoineau M Series

**Economical
Ecological
Eco-design**



improving your process



The EcoMoineau Range

- For liquid sludge and reagents.
- For all environmental applications.

Use of the floating stator and/or fixed stator principles leads to an optimized offering for each application.

BENEFITS

Of EcoMoineau range

- reduced size
- fewer parts and reduced weight
- economical and simplified maintenance

Of Moineau technology

- respects the product
- constant, non-pulsating flow (e.g.: feed to drying units)
- easy maintenance

PERFORMANCE

Wastewater treatment process

| | Floating Stator on M | Fixed Stator on M | Fixed Stator on I |
|---|----------------------------|----------------------------|-----------------------------|
| Maximum flow rate | up to 16 m ³ /h | up to 30 m ³ /h | up to 250 m ³ /h |
| Maximum pressure | 10 bar | 24 bar | 24 bar |
| Maximum temperature in continuous operation | 90 °C | 90 °C | 90 °C |

M Series: Floating Stator

Held in place simply by the discharge flange, the stator remains free to move with the rotor.

Use of the floating stator principle with Moineau technology leads to a much shorter design for the same level of performance.

Simplified integration and operation

- easy to disassemble
- multi-input compatible body

Sealing

- simplified maintenance
- no leakage

Sealing

- standard integrated mechanical seal
- simplified installation without adjustment

Drive

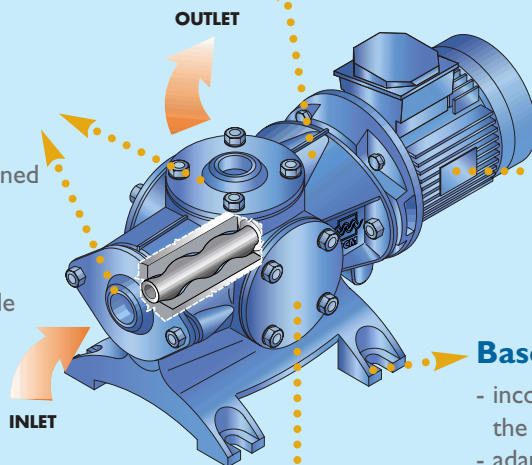
- fewer parts
- reduced size

Threaded connection

- can be positioned according to the desired configurations
- interchangeable with flange

Drive

- built-in mounting
- compatible with standardized mounting



Base

- incorporated into the pump structure
- adapts to all kinds of support surfaces

Hand-holes

- included in standard model
- easy to remove

Easy maintenance

- easily accessible line shaft
- easy cleaning of the body – total drainage
- allows polymer to be injected into the body

M Series: Fixed Stator

The stator is secured in a steel frame and the line shaft absorbs the eccentric movement.

The conventional design of a fixed stator makes it possible to meet the needs of a variety of applications for large flow rates and/or high pressures.

Simplified integration and operation

- easy to disassemble
- compatible with multi-input "PN or Class" designated flanges

Flange connection

- can be positioned according to the desired configurations
- design compatible with multiple standards

Sealing

- standard integrated mechanical seal
- simplified installation without adjustment

Sealing

- simplified maintenance
- no leakage

Drive

- fewer parts
- reduced size

Drive

- built-in mounting
- compatible with standardized mounting

Hand-holes

- included in standard model
- easy to remove

Base

- incorporated into the pumps structure
- adapts to all kinds of support surfaces

On-site installation with Civil Engineering

- made easy due to base design
- option for attachment parts

Easy maintenance

- easily accessible drive line
- easy cleaning of the body – oval design allows drainage
- allows polymer to be injected into the body

Drives: The M series pumps are intended for fixed or variable flow rates

Mechanical variable speed drive for manual variation: MV



Gear motor for fixed flow rate or external speed control: MR



Gear motor with built-in speed control: VMA



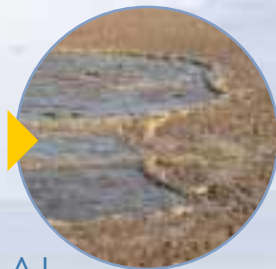
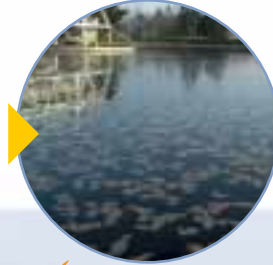
Compatible installation for standard/IEC and NEMA compatible drives

EcoMoineau range applied to your needs for

The EcoMoineau is ideally suited for the Water Treatment and Environment markets. It offers an optimized solution for the most diverse applications thanks to simple functions built into the design of the pump.

1 PRIMARY PROCESSING

- transfer of liquid sludge
- extraction of clarifiers
- pumping of surface foam and floating matter



2 BIOLOGICAL PROCESSING

- recirculation into biological treatment
- extraction of excess sludge
- pumping of surface foam and floating matter

3 SLUDGE DIGESTION

- feed to digesters
- recirculation and extraction of digested sludge



SOME CUSTOMER REFERENCES

Our customers throughout the world: Degrémont – Véolia – Stérea – Sogéa – GTM Environnement – Andritz – Faure Equipements – United Utilities – Anglian Water – etc.

A worldwide presence: France – Great Britain – Germany – China – Tunisia – Spain – Portugal – Greece – Turkey – etc.

Municipal plant references: Les Mureaux – Vierzon – Saint Petersburg – Shanghai – Budapest – Buenos Aires – Eskisehir – Birmingham – Liverpool – Newcastle – etc.

Industrial plant references: L'Oréal – Danone – Yoplait – Sollac – Hoechst – Sanofi – Liebig Campbel – Rhom & Hass – Bel – etc.



Mureaux wastewater treatment plant - Operated by Degrémont Services

5 DEWATERING

- feed to dewatering machines
 - belt thickener – belt filter – centrifuge – filter press
- sludge conditioning
 - polymer and lime slurry metering



4 THICKENING

- feed to thickening units
 - belt thickener - centrifuge - filter press - thickener
- reagent injection
 - polymer metering



Reagent pumping

- polymer injection
- lime milk pumping
- transfer of activated charcoal

EcoMoineau: A new concept

PCM has been firmly committed to an environmental approach for a number of years.

This company policy has been confirmed by the ISO 14001 certification. This approach is also reflected in the EcoMoineau range, which takes into account the demands of sustainable developments: eco-design and the overall Life Cycle Costs (LCC) are at the heart of this new range.

ECO-DESIGN

Eco-design reduces the products impact on the environment through all stages of its life cycle, starting with the design phase.



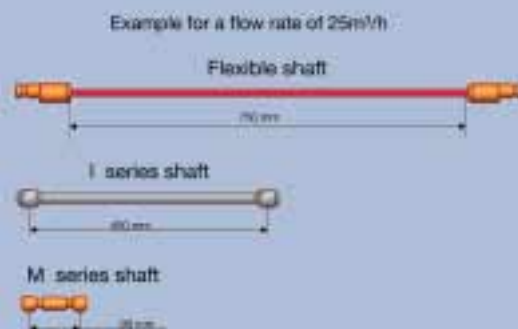
A new concept

| | |
|----------------------|--|
| Raw materials | ▶ Reduced number of different parts and materials A compact and lighter pump |
| Manufacturing | ▶ An ISO 14001 certified factory Chrome-free rotor VOC-free paint |
| Logistics | ▶ A compact and lighter pump |
| Use | ▶ Reduced LCC High energy efficiency Long life cycle of pumps and parts Reduced servicing time Lower production losses |
| Recycling | ▶ Fewer parts Easy dismantling Recycling service provided by PCM |

New

International patent

Fastening system for joints



PCM range for wastewater treatment plants

Reagent metering

Polymers



M Series



Lagoa Series

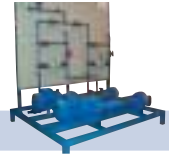
Lime milk



DL Series



M Series



LimeSkid

Other reagents



Lagoa Series



ChemSkid

Sludge pumping

Liquid sludge



M Series



I Series

Thickened sludge



GTA Series



GCA Series

Dewatered sludge



GCA-GVA Series



GGB Series

Accessories

Pump and equipment protection

Safer installations

Process reliability



Pressure gauge



Dry running protection device



Pressure switch

Services: a relationship of trust based on expertise.

The PCM Services team is available to help you get the best performance out of your equipment:

PCM Services can provide you with research, start-up assistance or review of your installations, training, maintenance contracts, repairs and express delivery of spare parts.



improving your process

HEAD OFFICE

UNITED STATES

Tel: +1 713 468 1777
Fax: +1 713 463 9992
pcmdelasco@pcmdelasco.com
www.pcmdelasco.com

FRANCE

PCM POMPES, S.A.
17 rue Ernest Laval - BP 35
92173 VANVES Cedex
FRANCE

Tél : +33 (0)1 41 08 15 15
Fax : +33 (0)1 41 08 15 00
pcm@pcmpompes.com
www.pcmpompes.com

CHINA

Tel: +86 (0)21 62362521
Fax: +86 (0)21 62362428
pcmchina@pcmpompes.com
www.pcmpompes.com

UNITED KINGDOM

Tel: +44 (0)1536 740200
Fax: +44 (0)1536 740201
sales@pcmpumps.co.uk
www.pcmpumps.co.uk

GERMANY

Tel: +49 (0)611 60977-0
Fax: +49 (0)611 60977-20
info@delasco.de
www.delasco.de

TUNISIA

Tel: +216 71 238 138
Fax: +216 71 231 713
pcmtunisie@pcmpompes.com
www.pcmpompes.com

THAILAND

Tel: +66 (0)34 246 012
Fax: +66 (0)34 297 022
mwitayat@pcmpompes.com
www.pcmpompes.com

RUSSIA

Tel: +7(812)320 70 96
Fax: +7(812)320 75 12
pcmrussia@pcmpompes.com
www.pcmpompes.com